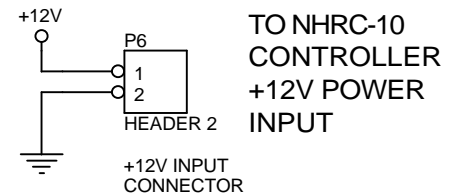
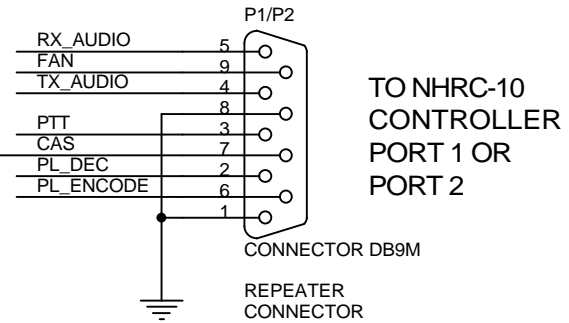
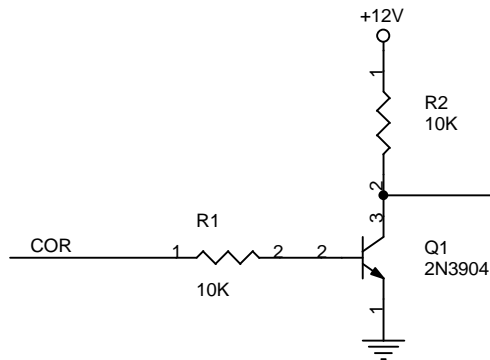


ACTIVE LOW
COR FROM
RECEIVER



NOTICE

THIS DRAWING CONTAINS PROPRIETARY INFORMATION WHICH IS THE CONFIDENTIAL PROPERTY OF NHRC LLC. IT SHALL NOT BE COPIED, REPRODUCED, DISCLOSED, PUBLISHED OR USED IN PART OR WHOLE WITHOUT THE EXPRESSED WRITTEN PERMISSION OF NHRC LLC. SPECIFICATIONS SUBJECT TO CHANGE WITHOUT NOTICE OR OBLIGATION.

NOTES:

- 1.) Q1 is 2N3904 NPN (Digi-Key 2N3904FS-ND or equiv.)
- 2.) R1 and R2 are 10K 1/4W (Digi-Key 10KQBK-ND or equiv.)
- 3.) P1/P2 is NorComp 171-009-102-001 (Digi-Key 209M-ND or equiv.)
- 4.) P3 is Switchcraft 760 (Digi-Key SC1051-ND or equiv.)

NHRC REPEATER CONTROLLERS

415 Fourth Range Road
Pembroke, NH 03275
603-485-2248
<http://www.nhrc.net>

Title		
NHRC-10 Repeater Controller (CAS Inverter)		
Size	Document Number	Rev
A		A
Date:	Monday, August 23, 2004	Sheet 1 of 1