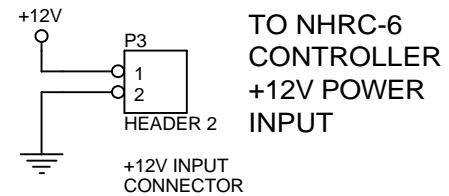
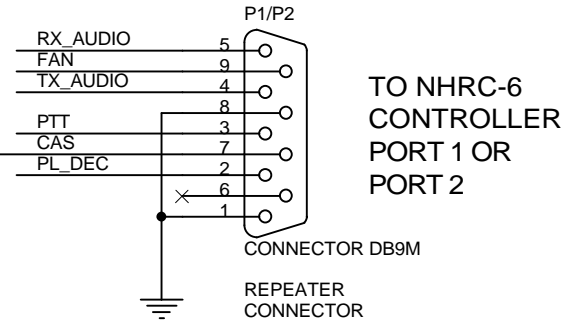
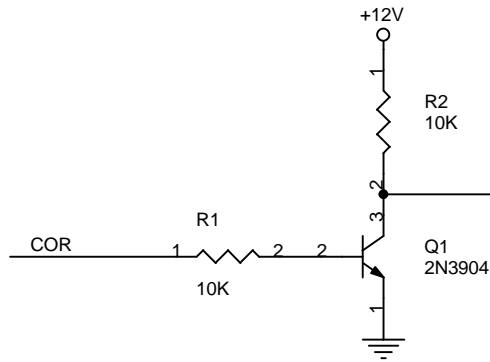


ACTIVE LOW  
COR FROM  
RECEIVER



### NOTICE

THIS DRAWING CONTAINS PROPRIETARY INFORMATION WHICH IS THE CONFIDENTIAL PROPERTY OF NHRC LLC. IT SHALL NOT BE COPIED, REPRODUCED, DISCLOSED, PUBLISHED OR USED IN PART OR WHOLE WITHOUT THE EXPRESSED WRITTEN PERMISSION OF NHRC LLC. SPECIFICATIONS SUBJECT TO CHANGE WITHOUT NOTICE OR OBLIGATION.

NOTES:

- 1.) Q1 is 2N3904 NPN (Digi-Key 2N3904FS-ND or equiv.)
- 2.) R1 and R2 are 10K 1/4W (Digi-Key 10KQBK-ND or equiv.)
- 3.) P1/P2 is NorComp 171-009-102-001 (Digi-Key 209M-ND or equiv.)
- 4.) P3 is Switchcraft 760 (Digi-Key SC1051-ND or equiv.)

### NHRC REPEATER CONTROLLERS

415 Fourth Range Road  
Pembroke, NH 03275  
603-485-2248  
<http://www.nhrc.net>

|   |                 |          |
|---|-----------------|----------|
| Title<br><b>NHRC-6 Repeater Controller (CAS Inverter)</b> |                 |          |
| Size<br>A   | Document Number | Rev<br>A |
| Date:<br>Monday, August 23, 2004                          | Sheet<br>2      | 1 of 1   |