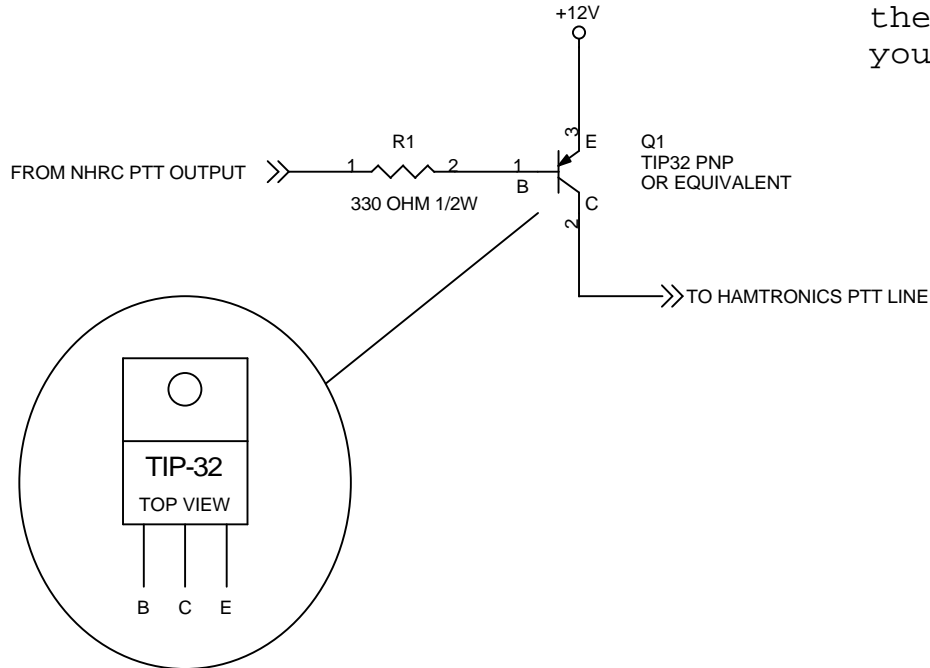


## Theory of operation:

Application of ground from the controller PTT line to the base of Q1 through R1 causes current to flow out of the base of Q1 to ground causing Q1 to saturate and closing the emitter to supply voltage keying your transmitter



All NHRC products have active low PTT closure to ground. This simple circuit will key an active high transmitter such as a Hamtronics product.

## NOTICE

THIS DRAWING CONTAINS PROPRIETARY INFORMATION WHICH IS THE CONFIDENTIAL PROPERTY OF NHRC LLC. IT SHALL NOT BE COPIED, REPRODUCED, DISCLOSED, PUBLISHED OR USED IN PART OR WHOLE WITHOUT THE EXPRESSED WRITTEN PERMISSION OF NHRC LLC. SPECIFICATIONS SUBJECT TO CHANGE WITHOUT NOTICE OR OBLIGATION.

## NHRC REPEATER CONTROLLERS

415 Fourth Range Road  
Pembroke, NH 03275  
603-485-2248  
<http://www.nhrc.net>

Title			
HAMTRONICS PTT APP-NOTE			
Size	Document Number	DRAWN BY: KA1OKQ/N1LTL	Rev
A			B
Date:	Wednesday, June 18, 2003	Sheet	1 of 1
	2		1