

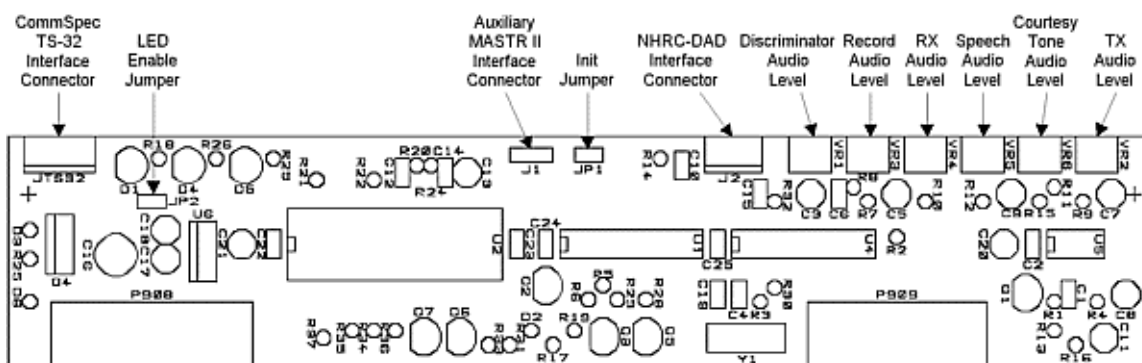
NHRC-3/M2 Repeater Controller

Installation Instructions

These instructions will guide you in the installation and adjustment of the NHRC-3/M2 repeater controller.

Contents

1. MASTR II Preparation
2. TS-32 Hookup
3. Installing the NHRC-3/M2 in the MASTR II
4. The LED status indicators
5. Installing the Audio Delay
6. Adjusting the Audio Levels



Board Layout

1. **MASTR II Preparation**

If you are planning to operate the MASTR II with the NHRC-3/M2 as a full-duplex repeater, then you must have the duplex modification done before installing the NHRC-3/M2. Consult the NHRC WWW MASTR II infosite Full Duplex Conversion for duplexing information.

There are two options for interfacing the CAS and TX audio to the controller. These signals do not appear on the CTCSS plugs on the system board of the MASTR II.

Option 1: Use an interface cable

Transmit audio and CAS appear on the controller at J1, a 3-pin header. Wire an interface cable as shown in the table below:

J1 Connections

| J1 Pin # | MASTR II Signal |
|---------------------|----------------------------|
| 1 | MIC HI J902 #6 |
| 2 | CAS J904 #9 |
| 3 | MIC LO J902 #5 |

Option 2: Modify the MASTR II System Board.

By cutting one trace and adding two wires to the MASTR II system board, the jumper described in option 1, above, can be avoided.

Add a wire that connects P908 pin 2 to J902 pin 6 (the exciter's MIC HI input). Cut the trace that leads to P908 pin 3 on the system board, and add a wire that connects P908 pin 3 to J904 pin 9 (the CAS signal from the IFAS board). Install 0 ohm resistors (jumpers) R34 and R35 on the NHRC-3/M2 board, enabling the TX audio and CAS signals on the J908 connector. (Note: If you plan on using the local microphone on the MASTR II's control head, install a 1.5K resistor in location R34)

2. **TS-32 hookup**

Connector JTS32 is a 5-pin header that allows the easy installation of an optional Communications Specialists TS-32 for CTCSS decode and encode. Wire JTS32 to the TS-32 as follows:

JTS32 Connections

| JTS32 Pin # | TS-32 Signal |
|------------------------|-------------------------|
| 1 | +V POWER |
| 2 | DECODER INPUT |
| 3 | OUT-2 |
| 4 | ENCODE OUT |
| 5 | - GROUND & HANG-UP |

The TS-32 must have the JU-2 jumper cut. If you want to be able to disable the CTCSS requirement, install a switch on the HANGUP lead. The TS-32 will supply CTCSS encode tone to the exciter through the NHRC-3/M2.

Adjust the CTCSS deviation with the R29 on the TS-32 board, with the "CG LEVEL" pot on the MASTR II exciter set to midrange. The ideal deviation for the CTCSS tone is 250-300 Hz.

Consult the TS-32 INSTRUCTION SHEET for details on setting the CTCSS frequency.

3. **Installing the NHRC-3/M2 into the MASTR II**

The controller installs in the MASTR II where the MASTR II "Channel Guard" board normally belongs, plugged into the top of the systems board in the front of the radio. If you have not already removed the Channel Guard board, do so now by pulling it straight up and out of the radio. The NHRC-3/M2 installs with the component side of the board facing the control head cable connector. Carefully line up the P908 (left side) connector with the pins on the system board. The P909 connector may not cover all the pins on the

right side; this is ok, since that connector is used for physical support of the controller only. Push the board down firmly until the connectors are right against the system board. The controller is now installed.

4. The LED Status Indicators

The NHRC-3/M2 repeater controller is equipped with three status LED's that aid in setup and troubleshooting. The green LED indicates that the controller is getting a valid CAS (carrier operated switch) and, if the TS-32 is connected, a valid CTCSS decode signal. This LED should light when the repeater's receiver is active, and, when the TS-32 is properly installed, the correct CTCSS tone is present. The yellow LED indicated that a DTMF signal is being decoded. This LED should light for the entire duration that the DTMF signal is present on the receiver. The red LED indicates transmit. This LED will light when the transmitter is transmitting.

The LED's can be disabled to reduce the power consumption of the controller. Remove jumper JP2 to disable the LEDs.

5. Installing the NHRC-DAD with the NHRC-3/M2

Remove the jumper between pins 2 and 3 of J2, then plug the cable from the audio delay board onto the J2 header. If the audio delay is not installed, then the jumper must be present between pins 2 and 3 of J2.

The NHRC-DAD is small enough to fit in either the exciter "bay" or the oscillator/multiplier "bay" of the MASTR II chassis. Carefully route the cable to either of these locations. You may need to file a small notch into the plastic chassis to make room for the cable to pass through to the NHRC-DAD board.

6. Adjusting the Audio Levels

Preset all potentiometers to midrange. Key a radio on the input frequency, send some touch-tones, and adjust VR1 (the main receive level) until DTMF decoding is reliably indicated by yellow LED D4.

Deviation is set with VR2 (the master level) on the controller board and the "MOD ADJUST" control on the exciter. The key to properly adjusting these controls is to remember that the limiter in the exciter is *after* VR2 but *before* the "MOD ADJUST" control. The MOD ADJUST control will set the actual *peak* deviation, and VR2 will set

NHRC-3/M2 User Guide

the level into the limiter. You do not want excessive limiting on normal speech going through the repeater; it sounds bad and tends to "pump-up" background noise. On the other hand, some limiting is desirable. An oscilloscope connected to the audio output of a receiver tuned to the transmitter's frequency will show limiting as the audio gets "flat-topped" or clipped by the limiter. Ideally, a 4.5KHz deviation signal input to the repeater should result in a 4.5 KHz deviation output, and 5.5 KHz of input deviation should result in just under 5.0 KHz of deviation out of the repeater. A service monitor (or two), deviation meter, and/or a signal generator are necessary to do this job right.

Adjust VR6 (the beep level) to set the courtesy tone and CW tone level.

The easiest way to adjust the ISD2590 input and output levels is to select the simplex repeater mode and record and play messages until the audio sounds right. VR3 adjusts the record audio level into the ISD2590. Adjust this control for the best sounding record audio. VR5 sets the ISD2590 playback level. Adjust this control for best acceptable transmitter deviation. Note that the ISD2590 includes on-chip limiting/compression; this may fool you into thinking that you have the input level set just right when it is really too high. Try recording a whisper, it should play back quietly, also try recording normal speech with large gaps between words in a somewhat noisy environment to listen for background noise pumping. Properly adjusted, the ISD2590 recorded audio should be indistinguishable from normal audio repeated through the system.

VR4 is used to set the receiver audio level, and may not need to be adjusted from midpoint.

NHRC-3 Series Repeater Controllers

Operation Instructions Firmware Version 5.x

These instructions will guide you in the operation of the NHRC-3 Series repeater controllers. For installation instructions, see the appropriate installation manual.

Contents

1. Introduction

2. Initializing

3. Programming

1. Controller Modes

2. Programming the Controller

- Programming the Timers
- Programming the CW Messages
- Programming the Flag Bits
- Recording the Voice Messages

3. Enabling/Disabling the Repeater

4. Operating

1. About the IDs

2. About the Special ID Mode

3. The Tail Message

4. Using the Tail Message as the Courtesy Tone

5. Using the NHRC-DAD Digital Audio Delay with the NHRC-3 series repeater controllers

5. Programming Example

Index of Tables

- Configuration Flag Bits
 - Message Commands
 - Message Numbers
 - Morse Code Character Encoding
 - Programming Memory Map
 - Timer Address and Resolution
-

1. Introduction

The controller's programming is protected from unauthorized access by a 4-digit secret passcode. The controller is programmed by 8-digit DTMF commands that all begin with the 4 digit passcode. Throughout this manual, commands will be shown as *ppppNNNN*, where *pppp* represents the passcode, and *NNNN* is the actual command to the controller.

In order to save space in the microprocessor memory, the NHRC-3 repeater controllers represent all numbers in "hexadecimal" notation. Hexadecimal, or hex for short, is a base-16 number format that allows a 8-bit number to be represented in two digits. Hex numbers are 0, 1, 2, 3, 4, 5, 6, 7, 8, 9, A, B, C, D, E, and F. Converting decimal (the normal base-10 numbers that 10 fingered humans prefer) to hex is simple: divide the decimal number by 16 to get the 1st hex digit (10=A, 11=B, 12=C, 13=D, 14=E, 15=F), the remainder is the 2nd hex digit. Many scientific calculators can convert between these two number systems, and the Windows 95 calculator can, too, if the "scientific" view is selected. We provide a WWW page that can generate all the programming data for the NHRC-3 controllers quickly and easily, see <http://www.nhrc.net/nhrc3/nhrc3prog.html>.

2. Initializing the Controller

The controller will need to be initialized to allow you to set your secret passcode. Initializing the controller also resets all programmable settings to the factory defaults, including the CW ID message, and sets all the stored voice messages to blank. It should not be necessary to initialize the controller again, unless you want to change the passcode. **The only way to change the passcode is to initialize the controller.**

NHRC-3 User Guide

To initialize the controller, remove power and install the INIT jumper (JP1). Apply power to the controller, and after a few seconds, remove the INIT jumper. The controller is now in the initialize mode. If you "kerchunk" the controller now, it will send the default CW ID of "DE NHRC/3". Now transmit your 4-digit passcode. The controller will respond by sending "OK" in CW **once**. The controller will store the passcode and enter the disabled condition.

At this time, the controller will seem to be "dead", it will not respond to keyups, kerchunks, etc.

In fact, the controller will now only respond to correctly formatted 8-digit command messages. The controller initializes into the disabled condition specifically to allow programming and configuration of simplex repeaters; if it came up into a duplex operating condition, simplex repeaters *could not be programmed!*

To select simplex mode (before enabling the repeater), send the following DTMF sequence:

```
pppp0102
```

Do not enable a simplex repeater without first selecting simplex mode, or else you will not be able to program the controller until you initialize it again!

If the controller is connected to a full-duplex repeater or link radio, you may wish to enable it at this time. To put the repeater into the enabled condition, send the following DTMF sequence:

```
pppp0001
```

This command will "turn on" the repeater.

3. Programming

1. Controller Modes

The controller can operate in 3 different modes:

- Repeater Controller Mode
The controller operates a full-duplex repeater, with a courtesy tone and stored voice messages.
- Link Controller Mode
This is a variation of Repeater Controller Mode where the ISD2590 voice storage chip is deleted to lower the cost of the controller. This mode is intended to control remote receivers that are essentially crossband repeaters. Normally, when using link controller mode, the hang time is set to 0 seconds, and the controller is programmed to suppress DTMF muting,

NHRC-3 User Guide

so the user's DTMF commands will appear on the input of a "downstream" controller. The controller adds remote control, a timeout timer and CW ID capability to remote or link receivers.

- **Simplex Repeater Controller Mode**
This mode allows simplex (as opposed to duplex) radios to be used as repeaters. Up to 90 seconds of received audio is stored in the ISD2590 voice storage chip, and is "parroted" back when the user unkeys. The ID message is played in CW.

2. Programming the Controller

All programming is done by entering 8-digit DTMF sequences. The first 4 digits are the *passcode* chosen at initialization. The next 2 digits are an *address* or a *function code*. The last 2 digits are the *data* for address or function. To enter programming information, you must key your radio, enter the 8 digits, then unkey. If the controller understands your sequence, it will respond with "OK" in CW. If there is an error in your sequence, but the passcode is good, the controller will respond with "NG". If the controller does not understand your command at all, it will not respond with anything other than a courtesy beep, and then only if the courtesy beep is enabled. If the controller is disabled, and an unrecognized command is entered, no response will be transmitted at all.

3. Responses to Commands

| Response | Meaning |
|-----------------------------|--------------------------------|
| "OK" | Command Accepted |
| "NG" | Command address or data is bad |
| courtesy beep or nothing | Command/password not accepted |

If you enter an incorrect sequence, you can unkey before all 8 digits are entered, and the sequence will be ignored. If you enter an incorrect address or incorrect data, just re-program the location affected with the correct data.

In order to save space, reduce keystrokes, and eliminate some software complexity, all programming addresses and data are entered as hexadecimal numbers. Hexadecimal (or hex, for short) is a base-16 notation that is particularly convenient for use in digital computer systems because each hex digit represents 4

bits of a value. The controller uses pairs of hex digits to represent 8-bit values for the address and data of programming information. Any decimal number from 0 to 255 may be represented by two hex digits. Hex digits are 0, 1, 2, 3, 4, 5, 6, 7, 8, 9, A, B, C, D, E, F, where A through F represent values from 10 to 15. To convert a decimal number from 0 to 255 to hex, divide the decimal number by 16. The quotient (number of whole 16s) forms the left (high) digit, and the remainder forms the right (low) digit. Thus, 60 decimal = $3 \times 16 + 12 = 3C$ hex.

The DTMF keys 0-9 and A-D map directly to their corresponding digits. Use the * key for digit **E** and the # key for digit **F**. A 16-key DTMF generator is required to program the controller.

1. Programming the Timers

The NHRC-3 series repeater controllers provide several timers which control the operation of your repeater. The *Hang Timer* controls how long the repeater will continue to transmit after a received signal drops. This is often called the repeater's "tail". The tail is useful to eliminate annoying squelch crashes on users' radios; as long as a reply is transmitted before the hang timer expires, the repeater will not drop, which would cause a squelch crash in the users' radios.

The *Timeout Timer* controls the maximum duration of the retransmission of a received signal. It is more of a safety measure to protect the repeater from damage than a way to discourage long-winded users, even though it is often used that way.

The *ID Timer* sets the maximum duration between transmissions of the repeater's ID message(s). Note that the NHRC-3 may transmit an ID message before the timer expires in order to avoid transmitting the ID message while a user is transmitting.

The timer values are stored as an 8-bit value, which allows a range of 0 to 255. Some of the timers require high-resolution timing of short durations, and others require lower resolution timing of longer durations. Therefore, timer values are scaled by either 1/10, 1, or 10 seconds, depending on the application.

NHRC-3 User Guide

Timer Address and Resolution

| Timer | Address | Resolution Seconds | Max. Value Seconds |
|---------------|---------|--------------------|--------------------|
| Hang Timer | 02 | 1/10 | 25.5 |
| Timeout Timer | 03 | 1 | 255 |
| ID Timer | 04 | 10 | 2550 |

Enter the 4 digit passcode, the timer address, and the timer value, scaled appropriately. For example, to program the Hang Timer for 10 seconds, enter *pppp0264*, where *pppp* is your secret passcode, 02 is the hang timer address, and 64 is the hexadecimal value for 100, which would be 10.0 seconds.

2. Programming the CW Messages

CW messages are programmed by storing encoded CW characters into specific addresses in the controller. Use the Morse Code Character Encoding table and the Programming Memory Map to determine the data and address for the CW message characters. For example, to program "DE N1KDO/R" for the CW ID, you would use the following commands:

| DTMF Command | Address | Data | Description/Purpose |
|-----------------|---------|------|---------------------|
| <i>pppp0#09</i> | 0F | 09 | D |
| <i>pppp1002</i> | 10 | 02 | E |
| <i>pppp1100</i> | 11 | 00 | space |
| <i>pppp1205</i> | 12 | 05 | N |
| <i>pppp133*</i> | 13 | 3E | 1 |
| <i>pppp140D</i> | 14 | 0D | K |
| <i>pppp1509</i> | 15 | 09 | D |

NHRC-3 User Guide

| | | | |
|-----------------|----|----|--------------------------|
| <i>pppp160#</i> | 16 | 0F | O |
| <i>pppp1729</i> | 17 | 29 | / |
| <i>pppp180A</i> | 18 | 0A | R |
| <i>pppp19##</i> | 19 | FF | End of message marker |

The CW ID can store a message of up to 40 characters. Do not exceed 40 characters.

3. Programming the Flag Bits

Controller features can be enabled or disabled with the use of the Configuration Flag Bits. These bits are encoded into a single byte, which is programmed into the controller at address 01. Multiple flag bits can be selected by adding their hex weights. For example, to set up a link controller with no ISD chip, no courtesy tone, and suppress the DTMF muting, you would add 01, 10, and 20 to produce hex 31, which you would then program into address 01 in the controller as *pppp0131*.

In addition to programming the flag bits as a group using address 01, the controller supports commands to set or clear these bits individually. Command 60 is used to clear (zero) a specified configuration bit, and command 61 is used to set (one) a specified configuration bit. For example, to set (turn on) bit 4 (to suppress the courtesy tone), enter the following command: *pppp6104*. To clear bit 4 and enable the courtesy tone, enter this command: *pppp6004*. Note that the bit *number*, not its hex weight is used for commands 60 and 61.

NHRC-3 User Guide

Configuration Flag Bits

| Bit | Hex Weight | Feature |
|-----|------------|------------------------------------|
| 0 | 01 | ISD Absent |
| 1 | 02 | Simplex repeater mode |
| 2 | 04 | Audio Delay Installed |
| 3 | 08 | (reserved) |
| 4 | 10 | suppress courtesy tone |
| 5 | 20 | suppress DTMF muting |
| 6 | 40 | use tail message for courtesy tone |
| 7 | 80 | special ID mode |

Example Configurations

| Flag Bits Value | Features Selected |
|-----------------|--|
| 00 | Duplex Repeater Mode |
| 02 | Simplex Repeater Mode |
| 04 | Duplex Repeater Mode audio delay installed |
| 31 | Link Controller Mode: no ISD chip no courtesy tone no DTMF muting |
| 40 | Duplex Repeater Mode tail message is courtesy tone |
| 80 | Duplex Repeater Mode special ID mode |

NHRC-3 User Guide

| | |
|----|---|
| C0 | Duplex Repeater Mode tail message is courtesy tone special ID mode |
| C4 | Duplex Repeater Mode Audio Delay Installed tail message is courtesy tone special ID mode |

4. Recording the Voice Messages

Stored voice messages can be played and recorded, and CW messages can be played by using the message commands. Command 40 is used to play stored voice or CW messages, and command 41 is used to record stored voice messages.

To record stored voice messages, use command *pppp410x*, where *x* is the number of the message you want to record, found in the message numbers table. Unkey after the command sequence, then key up, speak your message, and unkey. The controller will remove about 100 ms from the end of your message to remove any squelch crash that might have been recorded.

To play stored voice messages, use command *pppp401x*, where *x* is the number of the stored voice message you want to play. To play CW messages, use command *pppp401x*, where *x* is the number of the CW message you want to play.

You may wish to have a family member or member of the opposite sex record your ID messages. The recorded audio sounds natural enough that people have actually tried to call the amateur whose callsign is recorded in the controller after the ID message plays!

4. Enabling/Disabling the Repeater

The repeater can be disabled or enabled by remote control by setting the value in location 00. Set this location to zero to disable, or non-zero to enable. For instance, to disable the repeater, send command *pppp0000*. To enable the repeater, send command *pppp0001*.

4. Operating

1. About the IDs

When the repeater is first keyed the controller will play the "initial ID". If the repeater is keyed again before the ID timer expires, the controller will play the "normal ID" when the ID timer expires. If the repeater is not keyed again, and the ID timer expires, the controller will reset and play the "initial ID" the next time the repeater is keyed. If the repeater is keyed while the controller is playing a stored voice message ID, the controller will cancel the stored voice message ID and play the CW ID.

The idea behind this IDing logic is to prevent unnecessary IDing. For instance, if a repeater user keys the machine and announces "This is N1KDO, monitoring", the controller will play the initial ID, and no further IDing will occur unless the repeater is keyed again. If users commence with a QSO, keying the repeater at least once more, the controller will play the normal ID and reset the ID timer when the ID timer expires. If the repeater becomes idle for one ID timer period after the last ID, then the next time it is keyed it will play the initial ID. The intent is that the repeater users only hear the initial ID the first time that they key the repeater.

2. About the Special ID Mode

The "Special ID Mode" operates differently in "normal" repeater mode than in simplex repeater mode. In normal repeater mode, enabling special ID mode will cause a CW ID to be sent instead of the "normal" ID message. In Simplex Repeater Mode, enabling special ID mode will cause the controller to play the "initial" voice ID (stored as voice message #0) instead of playing a CW ID. In simplex mode, the maximum repeated message duration is reduced by 1/4 to accommodate this voice ID. (About 67 seconds instead of 90). In summary, the special ID mode will cause a CW ID to play instead of the normal voice ID in normal repeater mode, or will allow a voice ID to be played instead of a CW ID in simplex repeater mode.

3. The Tail Message

The controller supports a "Tail Message" that plays the n th time the hang timer expires. The number of times the hang timer must expire before the tail message plays (n) is the "tail message counter" at address 05. The tail message counter can be set from 1 to 255. The tail message is disabled if the tail message counter is set

to 0. Program the tail message counter value into address 05.

For example, to have the tail message play after the 4th tail drop, program *pppp0504*. Try it.

4. Using the Tail Message as the Courtesy Tone

The tail message can be used as the courtesy tone if bit 6 is set in the configuration flags. In this case, you will likely want to set the tail message counter value to 0 to keep the message from playing twice occasionally. The message could store the sound of a bell, a dog's bark, or the repeater trustee saying "what?!"

5. Using the NHRC-DAD Digital Audio Delay with the NHRC-3 series repeater controllers

The NHRC-3 series repeater controllers support the optional NHRC-DAD digital audio delay board. The NHRC-DAD allows complete muting of received DTMF tones (no leading beep before muting), and suppression of squelch crashes when the received signal drops. The NHRC-DAD has a 128 ms delay on all received audio. NHRC-3 repeater controllers support the DAD with a software switch, settable by a configuration flag bit, and a dedicated connector on the controller for the DAD. If the DAD is not present, then a jumper must be installed between pins 2 and 3 of the DAD connector (see installation manual.) If the DAD is present, then the appropriate configuration flag bit must be set (in the case of the NHRC-3 series controller, set bit 2, hex weight 04.)

5. Programming Example

Programming the NHRC-3 series repeater controllers can seem quite complicated at first. This section of the manual is intended as a tutorial to help you learn how to program your controller.

Let's assume we want to program a NHRC-3 Series Repeater Controller with the following parameters:

CW ID: DE N1LTL/R FN42

Hang Time 7.5 seconds

Timeout timer 120 seconds

Play tail message every 6 tail drops.

NHRC-3 User Guide

First, we will initialize the controller. Install JP1 and apply power to the controller to initialize. After a few seconds, remove JP1. Send DTMF 2381 to set access code to 2381. The controller will send "OK" in CW to indicate the passcode was accepted. Now the controller is initialized, and disabled.

If we were programming a simplex repeater, we would now set the configuration flags for simplex mode, so we could turn the controller on and still be able to program it. For duplex repeaters, this step should not be performed. Send DTMF 23810102 to set the simplex repeater mode flag bit.

Now we will enable the controller. Send DTMF 23810001 (passcode=2381, address=00, data=01). The controller will send "OK" in CW to indicate the command was successful.

We will now program the CW ID. Looking at the "Programming Memory Map", we can see that the first location for the CW ID is 0F. The first letter of the ID is 'D', which we look up in the "Morse Code Character Encoding" table and discover that the encoding for 'D' is 09. So location 0F gets programmed with 09. Since the F digit is represented by the DTMF digit '#', the '#' is used to send the 'F'.

Send DTMF 23810#09 to program the letter 'D' as the first character of the CW ID. The controller will send "OK" in CW if the command is accepted. If you entered the command correctly, but you don't get the "OK", your DTMF digits may not all be decoding. See the Installation guide for your controller to readjust the audio level for the DTMF decoder.

The next character is the letter 'E', which is encoded as 02, and will be programmed into the next address, which is 10. Send DTMF 23811002.

The next character is the space character, and it will be programmed into address 11. Send DTMF 23810B00. Here are the rest of the sequences to program the rest of the ID message:

23811205 (N in address 12)
2381133* (1 in address 13)
23811412 (L in address 14)
23811503 (T in address 15)
23811612 (L in address 16)
23811729 (/ in address 17)
2381180A (R in address 18)
23811900 (space in address 19)
23811A14 (F in address 1A)
23811B05 (N in address 1B)
23811C30 (4 in address 1C)
23811D3C (2 in address 1D)

NHRC-3 User Guide

After the last character of the CW ID is programmed, the End-of-Message character must be programmed. In this case, the last character of the ID message was programmed into address 1D, so the EOM character, which is encoded as FF, goes into address 1E:
23811*## (EOM into address 1E.)

To program the hang timer, we must first determine the address of the hang timer by consulting the Programming Memory Map. The Hang Timer preset is stored in location 02. Next, we need to convert the 7.5 seconds into tenths, which would be 75 tenths of a second. Then the 75 gets converted to hex:

$75 / 16 = 4$ with a remainder of 11, so 75 decimal equals 4B hex.

Now program the hang timer preset by sending 2381024B.

To program the timeout timer with 120 seconds, we get the address of the timeout timer preset, which is 03, and then convert 120 seconds to hex:

$120 / 16 = 7$ with a remainder of 8, so 120 decimal equals 78 hex.

So we will program location 03 with 78: 23810378

To program the tail message counter, we determine the address of the counter (05) and since 6 is less than 16, the hex conversion is easy:

$6 / 16 = 0$ remainder 6, so 6 decimal equals 06 hex.

We will program location 05 with 06: 23810506

If we were programming a simplex repeater, we would stop here. Except in the case of the "special ID mode" no voice messages need to be stored for simplex repeater mode.

Now we can record the 4 voice messages. The voice messages are recorded by "programming" address 41 with the message number, then recording the message. We will program the initial ID message (message number 10, see the "Message Numbers" table) first:

Send 23814110, then key up again and clearly speak the message to be recorded "This is N1LTL repeater in Candia New Hampshire, an open repeater available to all licensed amateur radio operators." Unkey after you are done speaking.

The "normal ID" (11), timeout message (12), and tail message(13) can be recorded the same way:

Send 23814111, speak "N1LTL repeater".

Send 23814112, speak "A longwinded blatherskite has timed out the repeater."

Send 23814113, speak "Free Beer Tonight at N1LTL's!"

NHRC-3 User Guide

Any message can be played back at any time by "programming" location 40 with the message code you want to play. To play the CW ID, send 23814000. To play the tail message, send 23814013.

This tutorial did not discuss programming the Timeout timer, but the concepts described here apply to that timer as well.

Tables

Message Commands

| Command | Description |
|---------|-------------------------------------|
| 400x | 0 <= x <= 3, play CW message x |
| 401x | 0 <= x <= 3, play voice message x |
| 410x | 0 <= x <= 3, record voice message x |

Message Numbers

| Message Number | Contents |
|----------------|---------------------------------|
| 00 | CW ID |
| 01 | CW Timeout Message "TO" |
| 02 | CW Confirmation Message "OK" |
| 03 | CW Invalid Command Message "NG" |
| 10 | Voice Initial ID Message |
| 11 | Voice Normal ID Message |
| 12 | Voice Timeout Message |
| 13 | Voice Tail Message |

NHRC-3 User Guide

Programming Memory Map

| Address | Default Data | Comment | Address | Default Data | Comment |
|---------|--------------|----------------------------|---------|--------------|---------|
| 00 | 01 | enable flag | 1c | ff | (empty) |
| 01 | 00 | configuration flags | 1d | ff | (empty) |
| 02 | 32 | hang timer, in tenths | 1e | ff | (empty) |
| 03 | 1e | time-out timer, in seconds | 1f | ff | (empty) |
| 04 | 36 | ID timer, in 10 seconds | 20 | ff | (empty) |
| 05 | 00 | tail message counter | 21 | ff | (empty) |
| 06 | 0f | 'O' OK Message | 22 | ff | (empty) |
| 07 | 0d | 'K' | 23 | ff | (empty) |
| 08 | ff | EOM | 24 | ff | (empty) |
| 09 | 05 | 'N' NG Message | 25 | ff | (empty) |
| 0a | 0b | 'G' | 26 | ff | (empty) |
| 0b | ff | EOM | 27 | ff | (empty) |
| 0c | 03 | 'T' TO Message | 28 | ff | (empty) |
| 0d | 0f | 'O' | 29 | ff | (empty) |
| 0e | ff | EOM | 2a | ff | (empty) |
| 0f | 09 | 'D' CW ID starts here | 2b | ff | (empty) |
| 10 | 02 | 'E' | 2c | ff | (empty) |
| 11 | 00 | space | 2d | ff | (empty) |
| 12 | 05 | 'N' | 2e | ff | (empty) |
| 13 | 3e | 'I' | 2f | ff | (empty) |
| 14 | 0d | 'K' | 30 | ff | (empty) |

NHRC-3 User Guide

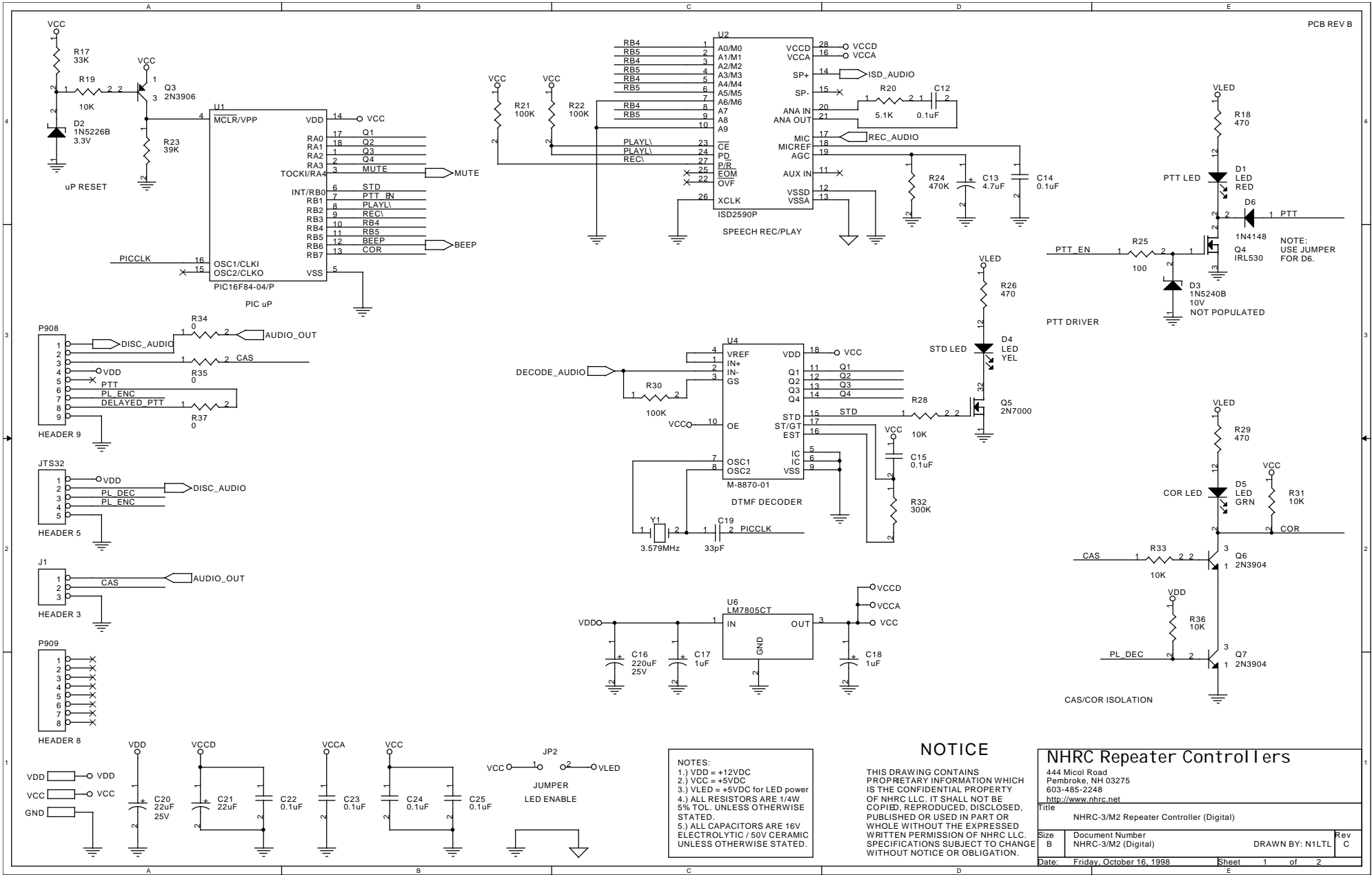
| | | | | | |
|----|----|-----------------------|----|----|---------|
| 15 | 09 | ‘D’ | 31 | ff | (empty) |
| 16 | 0f | ‘O’ | 32 | ff | (empty) |
| 17 | 29 | ‘/’ | 33 | ff | (empty) |
| 18 | 0a | ‘R’ | 34 | ff | (empty) |
| 19 | ff | (end of message mark) | 35 | ff | (empty) |
| 1a | ff | (empty) | 36 | ff | (empty) |
| 1b | ff | (empty) | 37 | ff | (empty) |

Note that the entire range of 0F-37 is available for your CW ID message.
Do not forget to terminate the message with the FF (end-of-message) character.

NHRC-3 User Guide

Morse Code Character Encoding

| Character | Morse Code | Binary Encoding | Hex Encoding | Character | Morse Code | Binary Encoding | Hex Encoding |
|-----------|------------|-----------------|--------------|-----------|------------|-----------------|--------------|
| sk | ...-- | 01101000 | 68 | h | | 00010000 | 10 |
| ar | -.--. | 00101010 | 2a | i | .. | 00000100 | 04 |
| bt | -...- | 00110001 | 31 | j | .---- | 00011110 | 1e |
| / | -...- | 00101001 | 29 | k | -.- | 00001101 | 0d |
| 0 | ----- | 00111111 | 3f | l | .-.. | 00010010 | 12 |
| 1 | .----- | 00111110 | 3e | m | -- | 00000111 | 07 |
| 2 | ..---- | 00111100 | 3c | n | -.. | 00000101 | 05 |
| 3 | ...-- | 00111000 | 38 | o | --- | 00001111 | 0f |
| 4 |- | 00110000 | 30 | p | ---. | 00010110 | 16 |
| 5 | | 00100000 | 20 | q | --.- | 00011011 | 1b |
| 6 | -..... | 00100001 | 21 | r | -.. | 00001010 | 0a |
| 7 | --... | 00100011 | 23 | s | ... | 00001000 | 08 |
| 8 | ----.. | 00100111 | 27 | t | - | 00000011 | 03 |
| 9 | -----. | 00101111 | 2f | u | ..- | 00001100 | 0c |
| a | .- | 00000110 | 06 | v | ...- | 00011000 | 18 |
| b | -... | 00010001 | 11 | w | ---. | 00001110 | 0e |
| c | -.--. | 00010101 | 15 | x | -...- | 00011001 | 19 |
| d | -.. | 00001001 | 09 | y | -...- | 00011101 | 1d |
| e | . | 00000010 | 02 | z | --.. | 00010011 | 13 |
| f | ..-. | 00010100 | 14 | space | | 00000000 | 00 |
| g | --. | 00001011 | 0b | EOM | | 11111111 | ff |



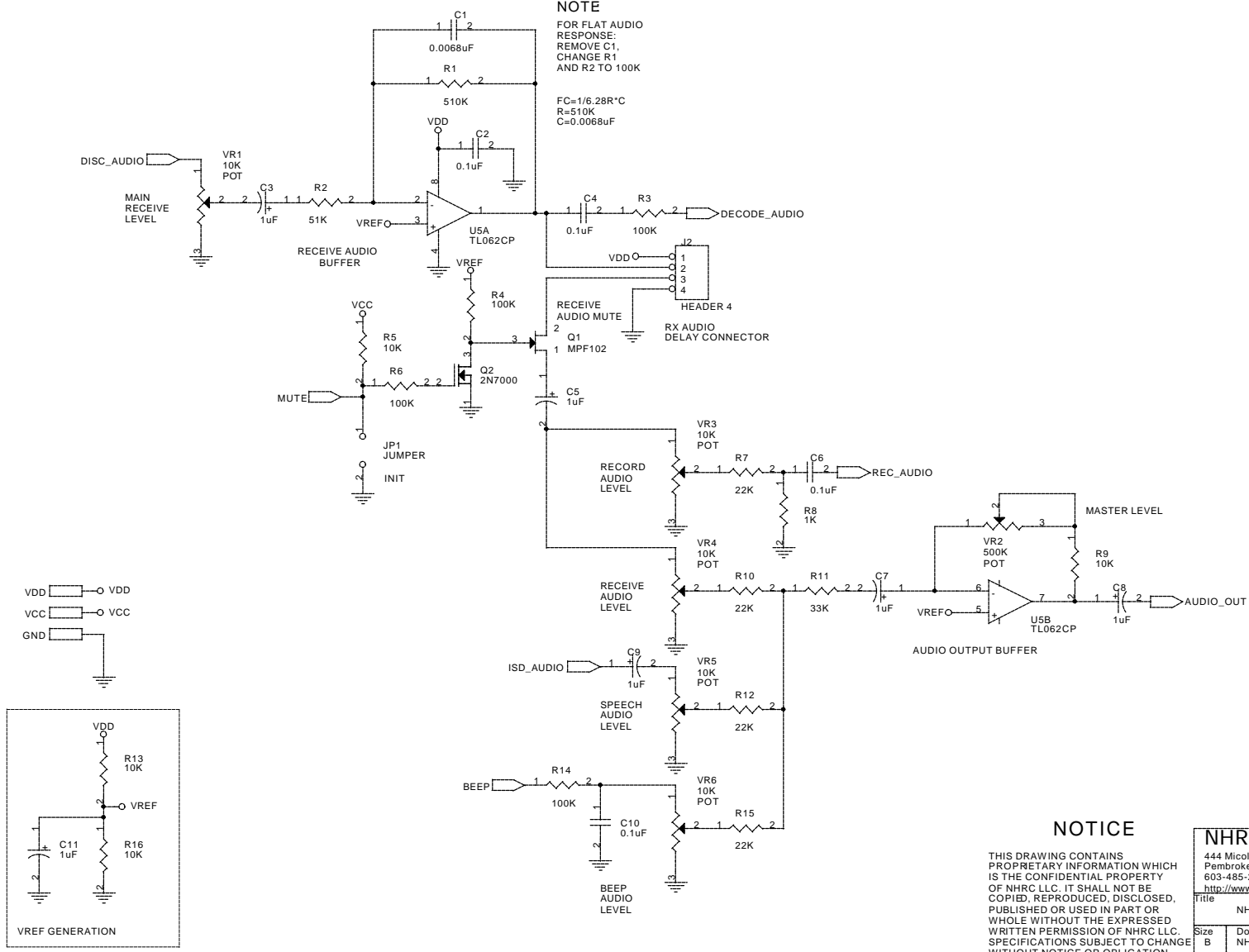
NOTES:
 1.) VDD = +12VDC
 2.) VCC = +5VDC
 3.) VLED = +5VDC for LED power
 4.) ALL RESISTORS ARE 1/4W 5% TOL. UNLESS OTHERWISE STATED.
 5.) ALL CAPACITORS ARE 16V ELECTROLYTIC / 50V CERAMIC UNLESS OTHERWISE STATED.

NOTICE
 THIS DRAWING CONTAINS PROPRIETARY INFORMATION WHICH IS THE CONFIDENTIAL PROPERTY OF NHRC LLC. IT SHALL NOT BE COPIED, REPRODUCED, DISCLOSED, PUBLISHED OR USED IN PART OR WHOLE WITHOUT THE EXPRESSED WRITTEN PERMISSION OF NHRC LLC. SPECIFICATIONS SUBJECT TO CHANGE WITHOUT NOTICE OR OBLIGATION.

| NHRC Repeater Controllers | | | |
|---|--------------------------|-----------------|--------|
| 444 Micol Road Pembroke, NH 03275 603-485-2248 http://www.nhrc.net | | | |
| Title: NHRC-3/M2 Repeater Controller (Digital) | | | |
| Size | Document Number | DRAWN BY: N1LTL | |
| B | NHRC-3/M2 (Digital) | C | |
| Date: | Friday, October 16, 1998 | Sheet | 1 of 2 |

NOTE
 FOR FLAT AUDIO
 RESPONSE:
 REMOVE C1,
 CHANGE R1
 AND R2 TO 100K

FC=1/6.28R*C
 R=510K
 C=0.0068uF



- NOTES:**
- 1.) VDD = +12VDC
 - 2.) VCC = +5VDC
 - 3.) VREF = +6VDC (or 1/2 VDD)
 - 4.) ALL RESISTORS ARE 1/4W 5% TOL. UNLESS OTHERWISE STATED.
 - 5.) ALL CAPACITORS ARE 16V ELECTROLYTIC / 50V CERAMIC UNLESS OTHERWISE STATED.

NOTICE

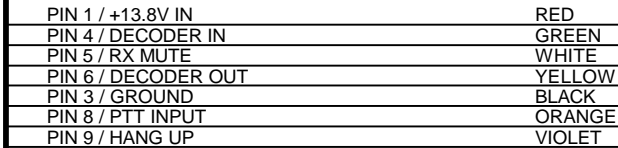
THIS DRAWING CONTAINS PROPRIETARY INFORMATION WHICH IS THE CONFIDENTIAL PROPERTY OF NHRC LLC. IT SHALL NOT BE COPIED, REPRODUCED, DISCLOSED, PUBLISHED OR USED IN PART OR WHOLE WITHOUT THE EXPRESSED WRITTEN PERMISSION OF NHRC LLC. SPECIFICATIONS SUBJECT TO CHANGE WITHOUT NOTICE OR OBLIGATION.

| | | | |
|---|--------------------------|---------------------------------------|--------|
| NHRC Repeater Controllers | | | |
| 444 Micol Road Pembroke, NH 03275 603-485-2248 http://www.nhrc.net | | | |
| Title | | NHRC-3/M2 Repeater Controller (Audio) | |
| Size | Document Number | DRAWN BY: N1LTL | Rev |
| B | NHRC-3/M2 (Audio) | | C |
| Date: | Friday, October 16, 1998 | Sheet | 2 of 2 |

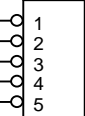
FOR NHRC-3/M2 PCB REV A OR REV B CONTROLLERS ONLY.

COM-SPEC TS-64

PLEASE CONSULT THE COM-SPEC DATA SHEET FOR FURTHER INFORMATION OR PRODUCTION CHANGES THAT MAY AFFECT THEIR PRODUCT. COM SPEC CAN BE REACHED AT 800-854-0547.



JTS-32



5 PIN CONNECTOR

TO NHRC-3/M2 REPEATER CONTROLLER

MOLEX 22-01-2057
(DIGI-KEY WM2014-ND)
OR EQUIV.

USE W/ MOLEX 08-50-0114
CRIMP TERMINAL
(DIGI-KEY WM2200-ND)
OR EQUIV.

WIRING TABLE

| WIRE COLOR | TS-64 SIGNAL NAME | TS-64 PIN NUMBER | NHRC-3/M2 SIGNAL NAME |
|------------|-------------------|------------------|-----------------------|
| RED | +13.8V | PIN 1 | +13.8V/VDD |
| BLACK | GROUND | PIN 3 | GROUND |
| GREEN | DECODER IN | PIN 4 | DISC AUDIO |
| WHITE | RX MUTE | PIN 5 | PL DEC |
| YELLOW | ENCODER OUT | PIN 6 | PL ENC |
| ORANGE | PTT INPUT | PIN 8 | GROUND |
| VIOLET | HANG UP | PIN 9 | GROUND |

NHRC Repeater Controllers

444 Micol Road
Pembroke, NH 03275
603-485-2248
<http://www.nhrc.net>

Title
COM-SPEC TS-64 APP NOTE FOR NHRC-3/M2 CONTROLLER

| | | |
|-----------|---|----------|
| Size A | Document Number TS-64 APP NOTE (M3 SERIES) | Rev A |
|-----------|---|----------|

Date: Monday, August 31, 1998 Sheet 1 of 1

NHRC LLC Limited Warranty

NHRC LLC warrants that it's assembled and tested products will be free from defects in materials and workmanship for a period of NINETY DAYS from the date of shipment. During this period, NHRC LLC will repair or replace, at our option, any of our products that fail as a result of defects in materials or workmanship. NHRC LLC's liability will be limited to parts, labor, and return shipping for this period.

NHRC LLC warrants that it's kit products will contain components that are free from defects in materials and workmanship for a period of THIRTY DAYS from the date of shipment. During this period, NHRC will replace any of the components in a kit ONCE. Subsequent replacement of any component any subsequent times is completely at the discretion of NHRC LLC, and may require the complete return of the kit.

In no case will NHRC LLC be liable for products damaged by improper wiring (including, but not limited to, over-voltage or application of reverse polarity), physical damage resulting from misuse and/or abuse of the product, neglect, or acts of God (lightning, floods, etc.).

Unauthorized modification of a NHRC product will void the warranty on the modified product.

In no case will NHRC LLC be liable for any direct, consequential, or incidental loss or damage resulting from the use or inability to use any of it's products.

Some states or countries do not allow the limitation of incidental or consequential damages, so the paragraph above may not apply to you.

This warranty applies only to the original purchaser of the product; proof of purchase must be presented to receive warranty service.